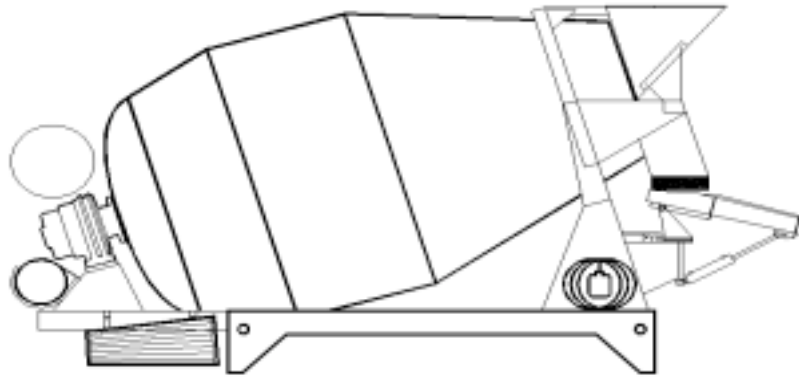


PCM 4500 GLIDER PACKAGE

**QUICK ATTACH.
DESIGNED TO
REPLACE SANDER
TRUCK BOX AND
OTHER
ATTACHMENTS.
UTILIZING
HYDRAULIC
COMPONENTS AND
CONTROLS.**



FEATURES

**1/4" drumhead, 3/16"
AR steel drum with
wear resistant fins,
solid steel drum track**

**80-gallon cross mount
water tank**

**Air lock swivel mount
with in-cab and rear
station control**

**Double acting chute
cylinder**

Slump meter

**Drum control with
in-cab and rear station
control**

Main and flip chutes

**Two side-mount carry
chutes**

ZF-PK7500 gear box



Precision
CONCRETE MIXERS

8525 - 52nd Street SE Calgary, AB T2C 2R3 (403) 279-7751
FAX: (403) 279-6647 TOLL FREE: 1-877-726-6493
www.enstelequip.com